

A

B

C

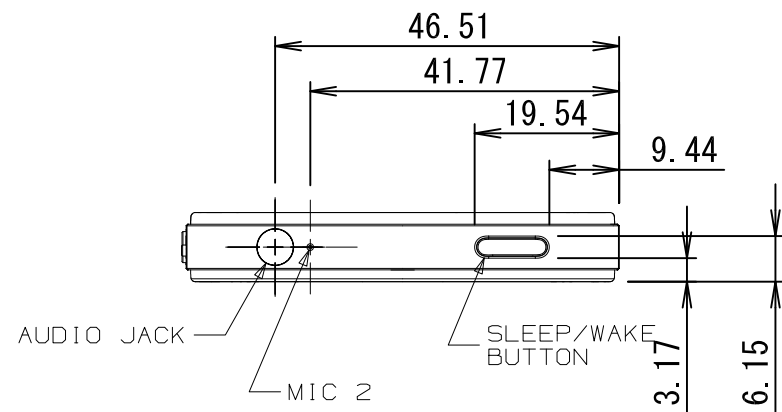
D

E

F

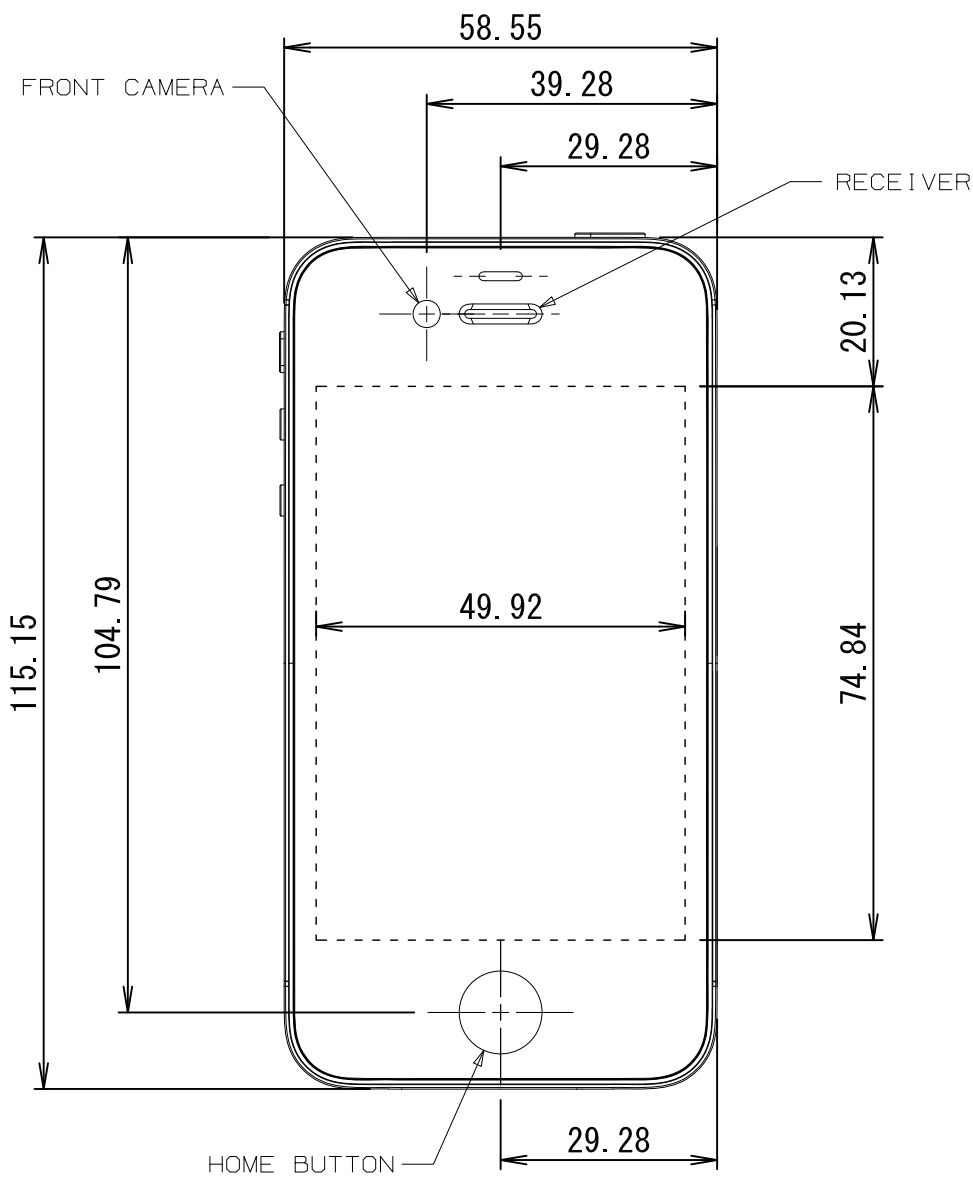
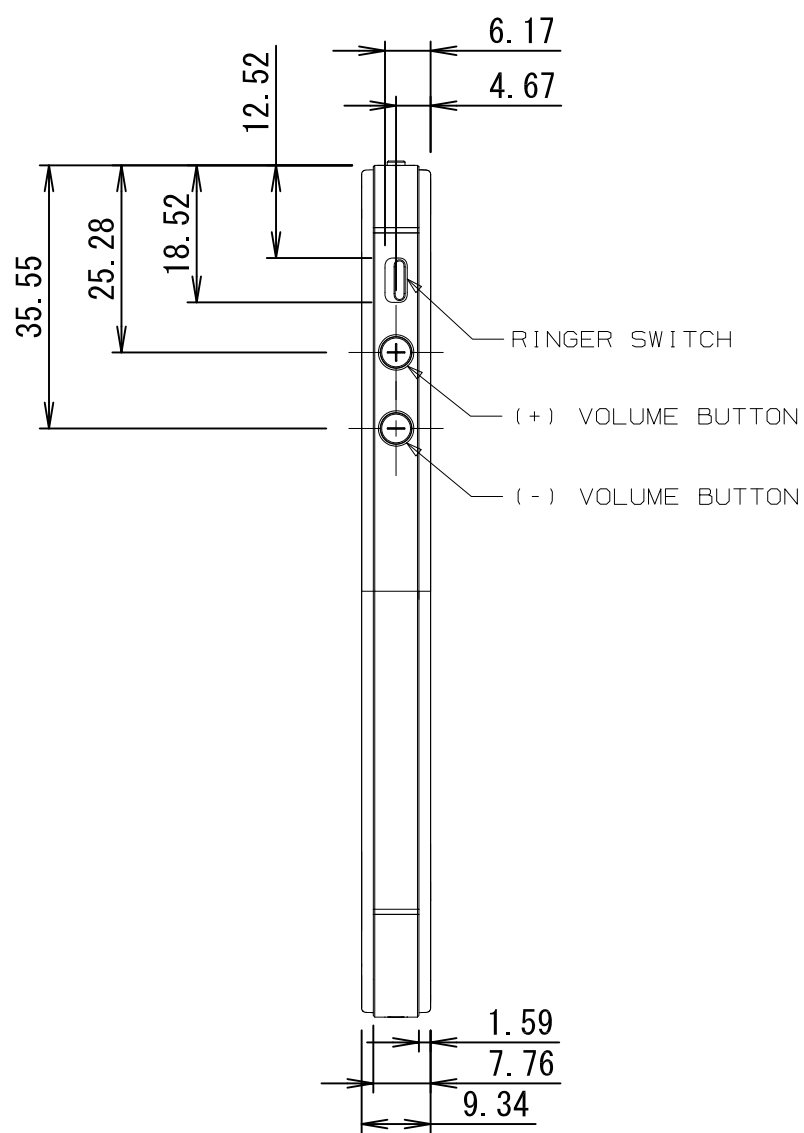
1

1



2

2



3

3

4

4

CUSTOMER			TITLE	
DRAWING			SCALE	
DESIGNRD			NONE	
DESIGNRD			DRAWING No.	
DATE			REV.	
SIZE				

A

B

C

D

E

F